

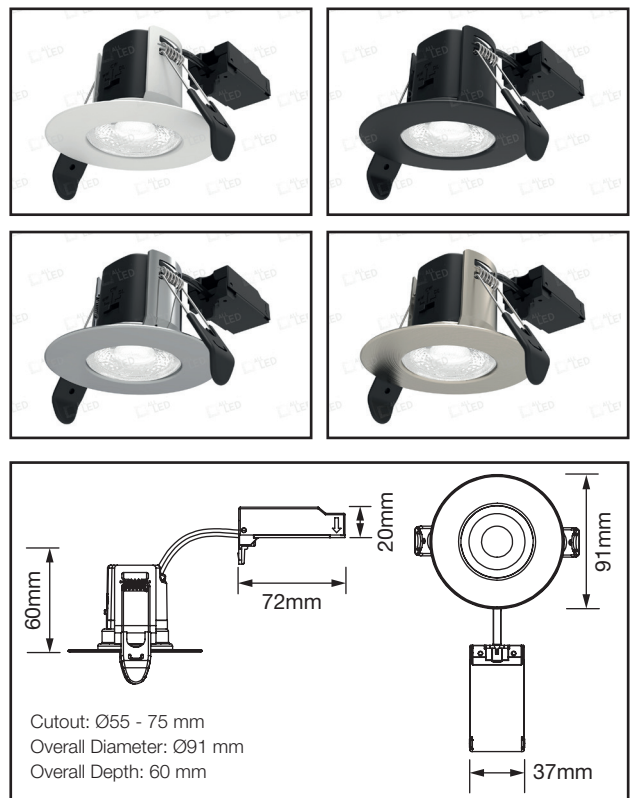
AFD05/F/**/CCT

Fixed 5W IP65 CCT Selectable
Dimmable LED Fire Rated Downlight



PRODUCT FEATURES

- IP65 Rated
- CCT Selectable
- OptiDim - Advanced Dimming Technology*
- Loop-in Loop-Out Terminals
- Ultra Slim Low Profile Bezel
- DiamondTec Lens
- Available In Polar White, Carbon Black, Polished Chrome And Satin Nickel
- Available In Fixed And Adjustable
- Insulation Coverable
- 30, 60, 90 Minutes Fire Rated Timber Joist
- 30 Minutes Fire Rated Staircraft I-Joist And Metal Web Joist
- Compliant To; Part B - Fire, Part C - Moisture, Part E - Acoustic & Leakage



TECHNICAL SPECIFICATIONS

PRODUCT CODE	AFD05/F/**/CCT		
CCT (Kelvin)	3000K	4000K	6000K
Luminous Flux (LM)	420lm	490lm	450lm
Useful Luminous Flux (LM)	320lm	370lm	340lm
Peak Intensity (cd)	316cd	358cd	345cd
R9 Colour Rendering Index Value	14	22	4
Beam Angle (°)		60°	
SDCM		<6	
CRI		≥80	
Operating Voltage (V)		220-240VAC	
Max Output Power (W)		5W	
Operating Current (A max)		0.024A	
Power Factor (Pf)		≥0.85	
Class		I	
Finish	Polar White / Carbon Black / Polished Chrome / Satin Nickel†		
Body Material	Steel & Polymer		
Cut Out	Ø55 - 75mm		
Switching Cycles	50,000		
Ingress Protection	IP65		
Ambient Operating Temperature (°C)	-20°C ~ +45°C		
Input Frequency (Hz)	50/60Hz		
Guarantee	5 Years		
Dimmable	Yes		
Dimming Compatibility	Trailing & Leading		
Cable Length	75mm		
Lifetime (L70 B50)	40,000 Hrs		
Survival Factor	1		
Lumen Maintenance Factor	99.49%		
Displacement Factor	0.89		
Flicker Metric (PstLM)	0.073		
Stroboscopic Effect Metric (SVM)	0.107		



*When installed with suitable dimmer.

